

DATA SHEET:

## Bd.1/2.N

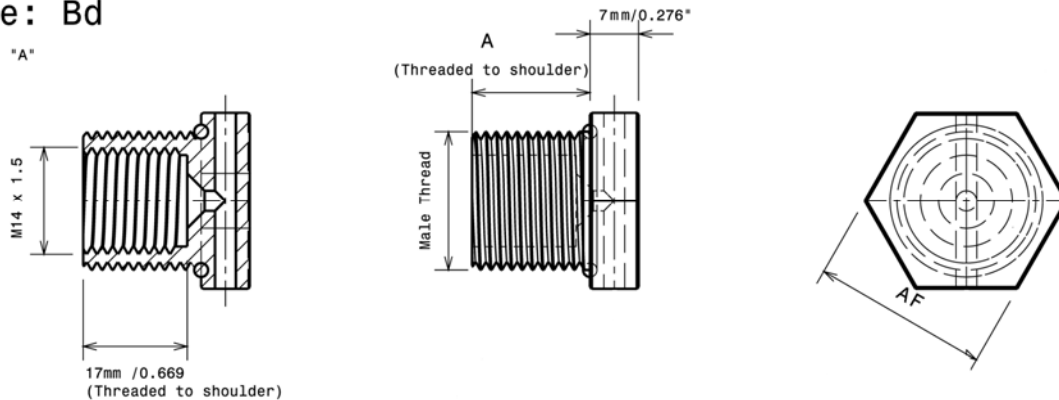
Type 'Bd' Breather Drains are used to allow the air inside an 'Ex d' Flameproof or Class I, Division 1 Explosionproof enclosure to breathe with the surrounding atmosphere and also to allow any moisture that enters the enclosure to drain while maintaining the overall integrity of the installation.



www.hlsus.com

### Type: Bd

Part 'A'



## Approvals & Specifications

ATEX/IEC Exd IIC Gb / Ex tb IIIC Db IP6X  
EN/IEC 60079-0, EN/IEC 60079-1, EN/IEC 60079-31  
ATEX/94/9/EC

NEC/CEC Class I, Division 1 Groups ABCD  
Class II, Groups EFG, Class III  
UL1203, UL514B, UL50  
C22.2 Nos. 30, 0.5, 0-M, 45, 18.3-04, 94-M91  
AExd IIC / AExe II Class I, Zone 1  
UL2279, UL60079-0, UL60079-1, UL60079-7, UL60079-1-1  
E60079-0, E60079-1, E60079-7, E60079-1-1

Thread NPT: Male L1 +/-1 Turn  
Gauging

Material Nickel Plated Brass (-50 to +80°C)

Ingress With Thread Sealant (Non-Hardening) IP66  
Protection NEMA 4X

Impact 7Nm  
Resistance

### Dimensions

Part Number	Bd.1/2.N
Male Thread	1/2" NPT-14
Male Thread Length 'A'	0.787" (20.0mm)
Hex A/F	0.875"