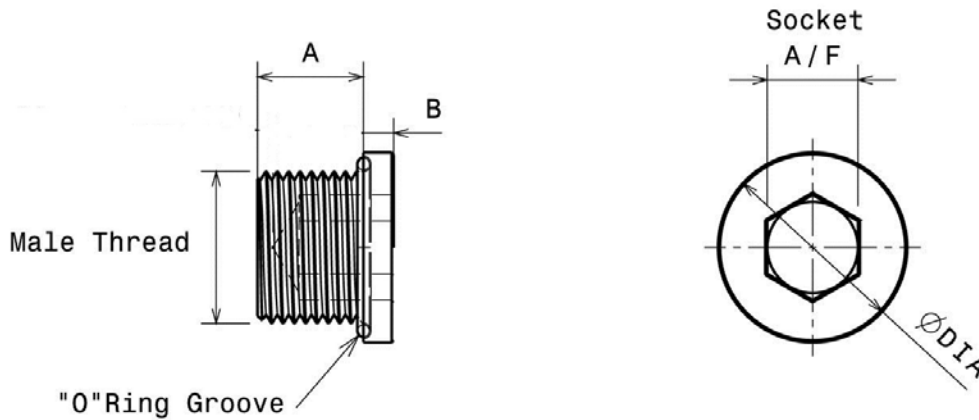


DATA SHEET:

# U5.20.N.NT

Type 'U' Stopping Plugs are used to seal unused cable gland or conduit entries in Ex approved enclosures, maintaining the hazardous location certification and the overall integrity of the installation.



## Approvals & Specifications

ATEX/IEC Exd IIC Gb / Exe IIC Gb / Extb IIIC Db, IP 6X  
EN/IEC60079-0, EN/IEC60079-1, EN/IEC60079-7,  
EN/IEC60079-31 ATEX/94/9/EC II 2GD

NEC/CEC Class I, Division 1, Groups ABCD  
Class II, Division 1, Groups EFG, Class III  
UL1203, UL514B, UL50  
C22.2 Nos. 30, 0.5, 0-M, 45, 18.3-04, 94-M91  
AExd IIC / AExe II Class I, Zone 1  
UL2279, UL60079-0, UL60079-1, UL60079-7, UL60079-1-1  
E60079-0, E60079-1, E60079-7, E60079-1-1

Thread Gauging Metric Male: 1.5mm Pitch- Medium Fit 6g

Material Nickel Plated Brass (-100 to + 150°C)

'O' Ring Nitrile (-30 to +90°C)

Ingress Protection With 'O' Ring IP 66 68, NEMA 4X  
With Thread Sealant (Non-Hardening) IP 66 68 NEMA 4X  
Without 'O' Ring or Thread Sealant IP54

Impact Resistance 7Nm

## Dimensions

Part Number	U5.20.N.NT
Male Thread	M20 x 1.5mm
Male Thread Length 'A'	0.63" (16.0mm)
Head Dia	1.024" (26.0mm)
Head Width 'B'	0.157" (4.0mm)
Socket A/F	10mm