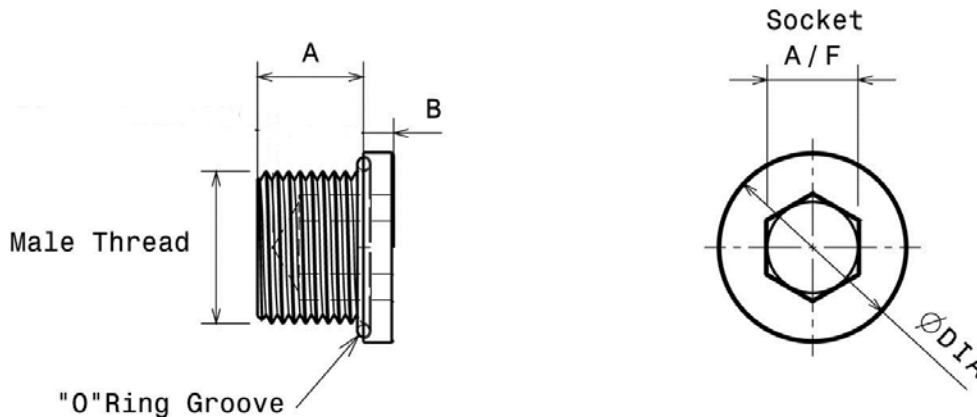


DATA SHEET:

U5.25.N.NT

Type 'U' stopping plugs are used to seal unused cable gland or conduit entries in Ex approved enclosures, maintaining the hazardous location certificate and the overall integrity of the installation.



Approvals & Specifications

ATEX/IEC	Exd IIC Gb / Exe IIC Gb / Extb III Db EN/IEC60079-0, EN/IEC60079-1, EN/IEC60079-7, EN60079-31, ATEX/2014/34/EU II 2GD
NEC/CEC	Class I, Division 1, Groups ABCD Class II, Division 1, Groups EFG, Class III UL1203, UL514B, UL50 C22.2 Nos. 30, 0.5, 0-M, 45, 18.3-04, 94-M91 AExd IIC / AExe II Class I, Zone 1 UL2279, UL60079-0, UL60079-1, UL60079-7, UL60079-1-1 E60079-0, E60079-1, E60079-7, E60079-1-1
Thread Gauging	Metric Male: 1.5mm Pitch- Medium Fit 6g
Material	Nickel Plated Brass (-100 to +150°C)
'O' Ring	Nitrile (-30 to +90°C)
Ingress Protection	With 'O' Ring IP 66 68, NEMA 4X With Thread Sealant (Non-Hardening) IP 66 68 NEMA 4X Without 'O' Ring or Thread Sealant IP54
Impact Resistance	7Nm

Dimensions	
Part Number	U5.25.N.NT
Male Thread	M25 x 1.5mm
Male Thread Length 'A'	0.63" (16.0mm)
Head Dia	1.22" (31.0mm)
Head Width 'B'	0.157" (4.0mm)
Socket A/F	10mm